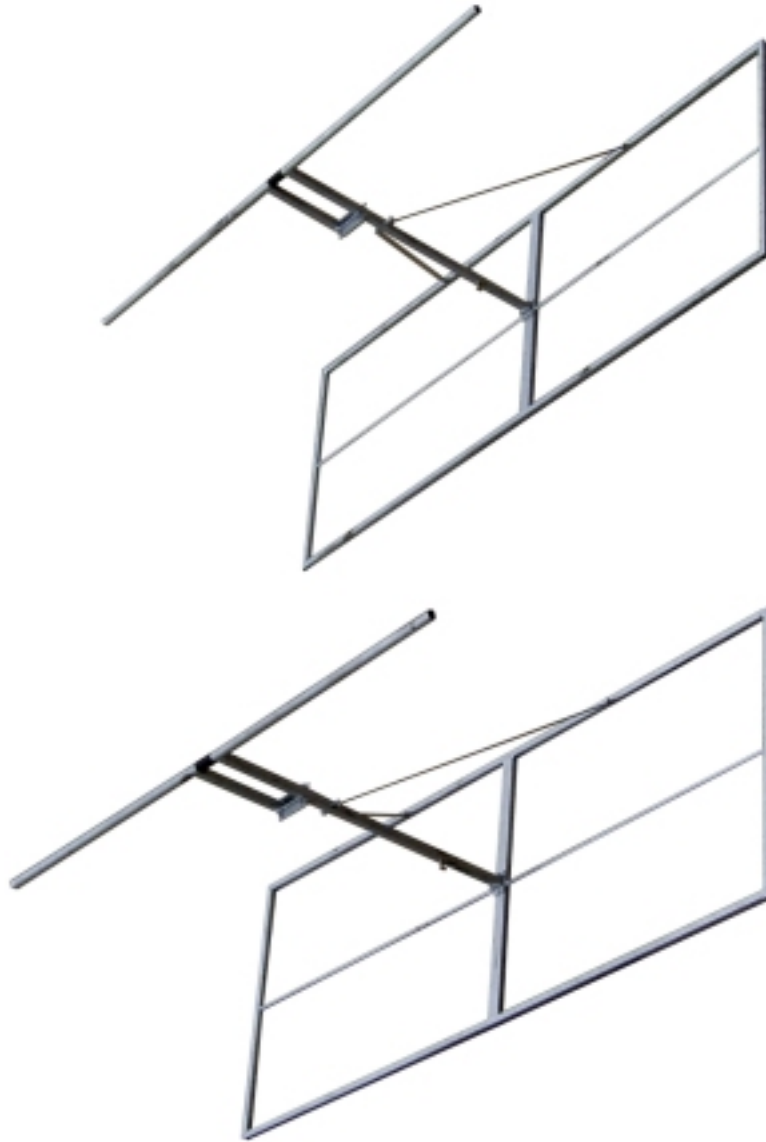


54-88 MHz

Lo VHF Band I

Band I Panel Antenna



Each bay of the Band I panel antenna is composed of two independent panels, tuned in pairs. The rugged all-weld design and hot dipped galvanized steel finish ensures long product life even in the harshest of broadcast environments.

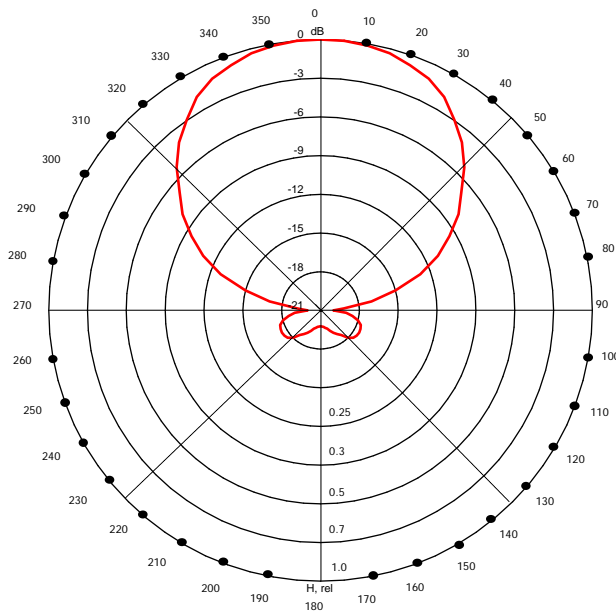
Each bay can handle up to 5kW, and multiple bays can be stacked horizontally or vertically for optimum coverage requirements. Higher input power is available upon request.

54-88 MHz

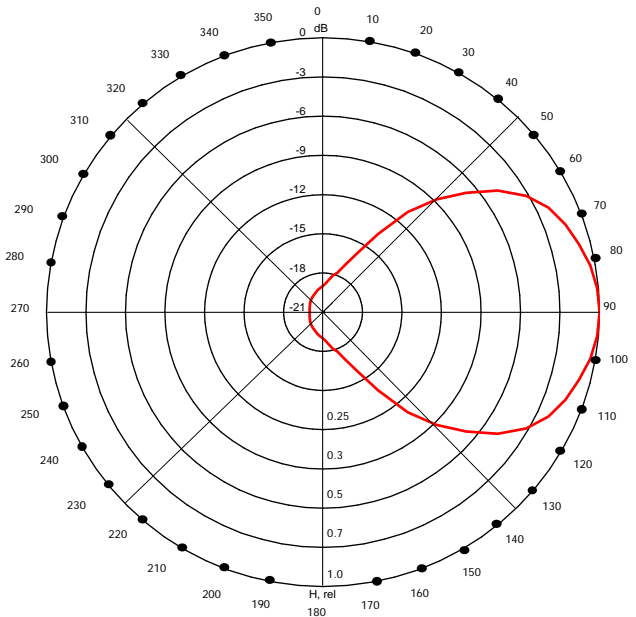
Lo VHF Band I



Electrical



Horizontal Radiation Pattern (E-Plane)

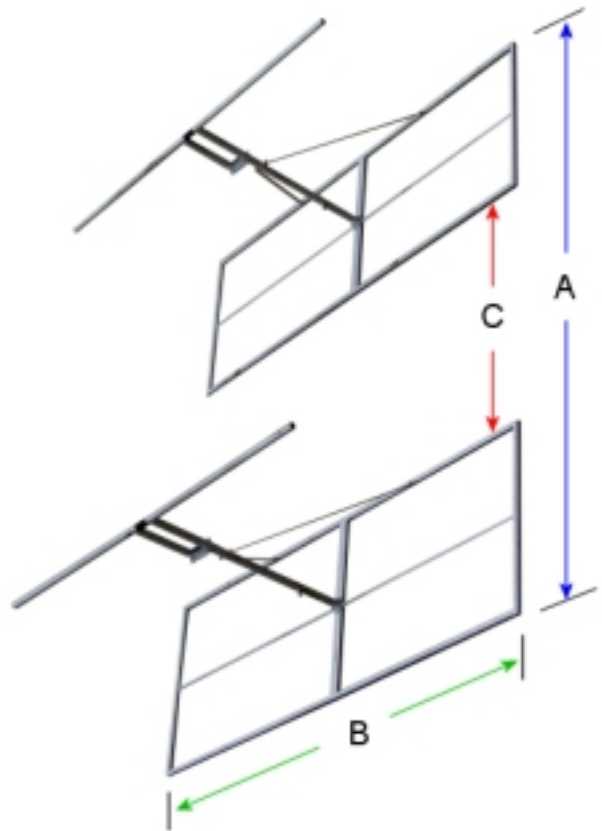


Vertical Radiation Pattern (H-Plane)

Frequency Range:	54-88 MHz, channel specific
Input connector:	N female or 7-16 female
VSWR:	< 1.20
Gain:	7.5 dBd
Polarization:	Horizontal
Impedance:	50 Ω
Max. input power:	5 kW
-3dB HPBW (E-Plane):	72 degrees
-3dB HPBW (H-Plane):	56 degrees

Mechanical

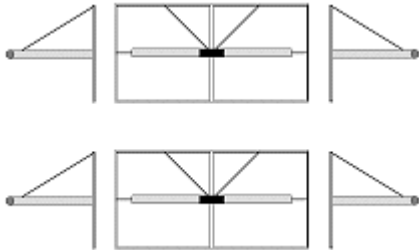
- Exterior material: Hot-dip galvanized steel
- Interior material: Machined brass and stainless steel
- Grounding: Antenna and radiating elements are DC grounded for lightning protection.
- Mounting clamps: HDG clamps are included for attachment to customer supplied mast of any OD. Please specify when ordering
- Icing protection: An optional feed point radome is available for severe icing
- Shipping: The antenna is shipped disassembled



Channel	2	3	4	5	6
Frequency range	54-60 MHz	60-66 MHz	66-72 MHz	76-82 MHz	82-88 MHz
Dim. A (mm)	4000	3580	3340	2925	2720
Dim B (mm)	2980	2650	2480	2170	2020
Dim C (mm)	1780	1600	1490	1315	1220
Weight (kg)	80	67	60	55	51
Wind load (kN)@ 160 km/h					
Frontal	2.20	2.00	1.90	1.75	1.50
Lateral	1.10	1.00	1.00	0.90	0.80

54-88 MHz

Lo VHF Band I



Side view of a 1 Bay, 3 Panels per bay Array.

No of Bays	Panels / bay	No of Panels	Gain (dB)	Gain (Pr)	Windload (kN) @ 160 km/h				
					Ch 2	Ch 3	Ch 4	Ch 5	Ch 6
1	2	2	5.4	3.47	3.4	3.1	3.0	2.7	2.5
	3	3	3.5	2.24	5.2	5.0	4.7	4.1	3.8
	4	4	2.0	1.58	6.4	6.0	5.8	5.2	4.7
2	2	4	8.4	6.92	6.9	6.5	6.2	5.5	5.1
	3	6	6.5	4.47	10.4	10.0	9.4	8.2	7.6
	4	8	5.0	3.16	12.8	12.0	11.6	10.4	9.4
3	2	6	10.4	10.96	10.2	9.3	9.0	8.1	7.5
	3	9	8.4	6.92	15.6	15.0	14.1	12.3	11.4
	4	12	7.0	5.0	19.2	18.0	17.4	15.6	14.1
4	2	8	11.5	14.13	13.8	13.0	12.5	12.1	10.0
	3	12	9.5	8.91	20.8	20.0	18.8	16.4	15.2
	4	16	8.1	6.46	25.6	24.0	23.2	20.8	18.8
6	2	12	13.3	21.38	20.8	20.0	18.8	16.4	15.2
	3	18	11.4	13.80	31.2	30.0	28.2	24.6	22.8
	4	24	9.9	9.77	38.4	36.0	34.8	31.2	28.2
8	2	16	14.5	28.18	27.5	26.0	25.0	22.2	20.4
	3	24	12.6	18.20	41.6	40.0	37.6	32.8	30.4
	4	32	11.1	12.88	51.2	48.0	46.4	41.6	37.6

54-88 MHz

Lo VHF Band I

Antenna Height H in Meters (Antenna Spacing S in Meters)					
No of Bays	Ch 2	Ch 3	Ch 4	Ch 5	Ch 6
1	4.0	3.6	3.3	2.9	2.7
2	9.6 (5.6)	8.6 (5.0)	8.0 (4.7)	7.0 (4.1)	6.5 (3.8)
3	15.2 (5.6)	13.6 (5.0)	12.7 (4.7)	11.1 (4.1)	10.3 (3.8)
4	20.8 (5.6)	18.6 (5.0)	17.4 (4.7)	15.2 (4.1)	14.1 (3.8)
6	32.0 (5.6)	28.6 (5.0)	26.7 (4.7)	23.3 (4.1)	21.7 (3.8)
8	43.2 (5.6)	38.6 (5.0)	36.1 (4.7)	31.5 (4.1)	29.3 (3.8)

Weight in KG without mounting hardware						
No. of Bays	Panels / Bay	Ch 2	Ch 3	Ch 4	Ch 5	Ch 6
1	2	164	138	120	104	94
	3	246	207	180	156	141
	4	328	276	240	208	188
2	2	328	276	240	208	188
	3	492	414	360	312	282
	4	656	552	480	416	376
3	2	492	414	360	312	282
	3	738	621	540	468	423
	4	984	828	720	624	564
4	2	656	552	480	416	376
	3	984	828	720	624	564
	4	1312	1104	960	832	752
6	2	984	828	720	624	564
	3	1476	1242	1080	936	846
	4	1968	1656	1440	1248	1128
8	2	1312	1104	960	832	752
	3	1968	1656	1440	1248	1128
	4	2624	2208	1920	1664	1504

